

SUN2000-8/12KTL Smart String Inverter



Smart

4 strings intelligent monitoring



Efficient

Max. efficiency 98.5%



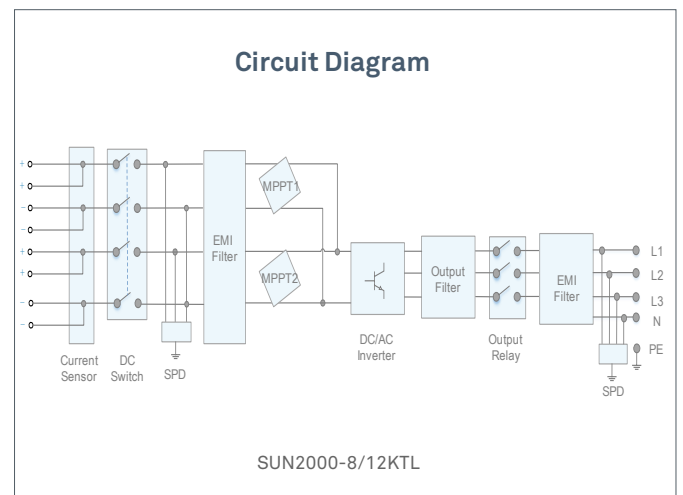
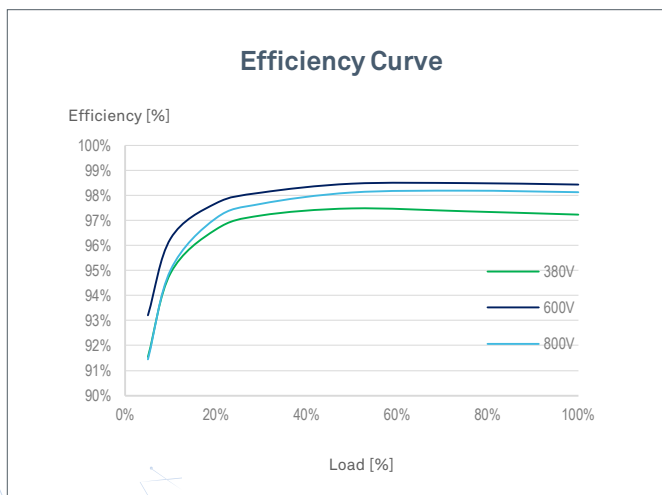
Safe

Fuse free design



Reliable

Type II surge arresters for DC & AC



Technical Specification	SUN2000-8KTL	SUN2000-12KTL
-------------------------	--------------	---------------

Efficiency		
Max. efficiency	98.5%	
European efficiency	98.0%	

Input		
Max. Input Voltage	1,000 V	
Max. Current per MPPT	18 A	
Max. Short Circuit Current per MPPT	25 A	
Start Voltage	250 V	
MPPT Operating Voltage Range	200 V~950 V	
Rated Input Voltage	620 V	
Number of Inputs	4	
Number of MPP Trackers	2	

Output		
Rated AC Active Power	8,000 W	12,000 W
Max. AC Apparent Power	8,800 VA	13,200 VA
Max. AC Active Power (cosφ=1)	8,800 W	13,200 W
Rated Output Voltage	220 V / 380 V, 230 V / 400 V, 3W + N + PE	
Rated AC Grid Frequency	50 Hz / 60 Hz	
Rated Output Current	12.2 A @380 V / 11.6 A @400 V	18.3 A @380 V / 17.4 A @400 V
Max. Output Current	13.4 A	20 A
Adjustable Power Factor Range	0.8 leading... 0.8 lagging	
Max. Total Harmonic Distortion	< 3%	

Protection		
Input-side Disconnection Device	Yes	
Anti-islanding Protection	Yes	
AC Overcurrent Protection	Yes	
DC Reverse-polarity Protection	Yes	
PV-array String Fault Monitoring	Yes	
DC Surge Arrester	Type II	
AC Surge Arrester	Type II	
DC Insulation Resistance Detection	Yes	
Residual Current Monitoring Unit	Yes	

Communication		
Display	Graphic LCD	
RS485	Yes	
USB	Yes	

General Data		
Dimensions (W x H x D)	520 x 610 x 266 mm (20.5 x 24.0 x 10.5 inch)	
Weight (with mounting plate)	42 kg (92.6 lb.)	
Operating Temperature Range	-25°C ~ 60°C (-13°F ~ 140°F)	
Cooling Method	Natural Convection	
Max. Operating Altitude	3,000 m (9,842 ft.)	
Relative Humidity	0 ~ 100%	
DC Connector	Amphenol Helios H4	
AC Connector	Amphenol C16 / 3	
Protection Degree	IP65	
Topology	Transformerless	

Standard Compliance		
Safety	EN 62109-1/-2, IEC 62109-1/-2	
Grid Connection Standards	ABNT, IEC 61727, IEC 62116, IEC 61683, IEC 60068, NB/T 32004-2013, VDE-AR-N-4105, VDE 0126-1-1, BDEW, G83/2 (Only 8KTL), G59/3, UTE C 15-712-1, CEI 0-16, CEI 0-21, C10/11, EN 50438-Netherlands, EN 50438-Ireland, EN 50438-Turkey, RD 1699, AS 4777, PEA (Only 12&20KTL), MEA (Only 20KTL), DEWA, NRS 097-2-1	