

SUN2000-5/10KTL-M0 Smart Energy Center



Higher Revenue

Max. efficiency 98.6%



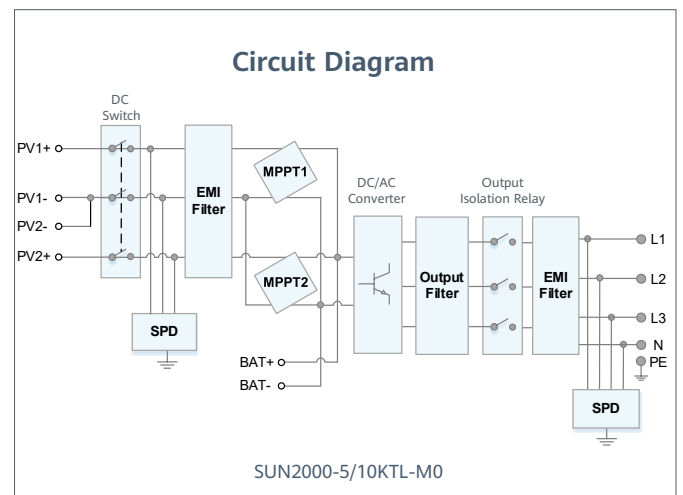
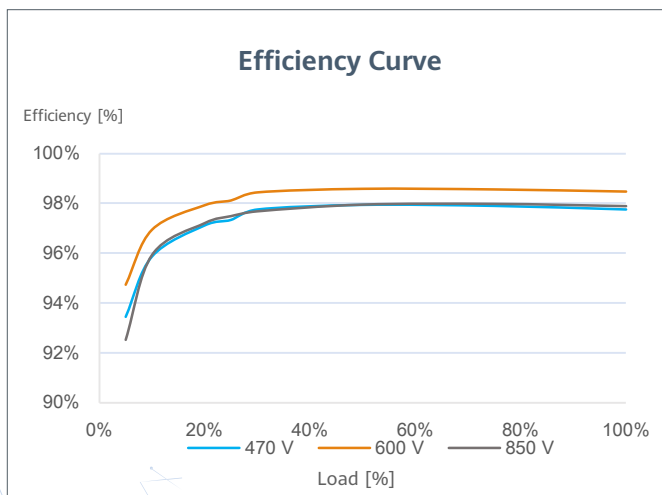
Simple & Easy

17 kg



Safe & Reliable

Arc fault protection



SUN2000-5/10KTL-M0
Technical Specification

Technical Specification	SUN2000-5KTL-M0	SUN2000-10KTL-M0
-------------------------	-----------------	------------------

Efficiency		
Max. efficiency	98.4%	98.6%
European weighted efficiency	97.5%	98.1%

Input		
Max. input voltage ¹	1,100 V	
Operating voltage range ²	140 V ~ 980 V	
Start-up voltage	200 V	
Full power MPPT voltage range	240 V ~ 850 V	470 V ~ 850 V
Rated input voltage	600 V	
Max. input current per MPPT	11 A	
Max. short-circuit current	15 A	
Number of MPP trackers	2	
Max. number of inputs	2	

Output		
Grid connection	Three-phase	
Rated output power	5,000 W	10,000 W
Max. apparent power	5,500 VA	11,000 VA
Rated output voltage	220 Vac / 380 Vac, 230 Vac / 400 Vac , default 3W / N+PE ; 3W+PE	
Rated AC grid frequency	50 Hz / 60 Hz	
Max. output current	8.5 A	16.9 A
Adjustable power factor	0.8 leading ... 0.8 lagging	
Max. total harmonic distortion	≤ 3 %	

Features & Protections		
Input-side disconnection device	Yes	
Anti-Islanding protection	Yes	
DC reverse polarity protection	Yes	
Insulation monitoring	Yes	
DC surge protection	Yes, compatible TYPE II protection class according to EN/IEC 61643-11	
AC surge protection	Yes, compatible TYPE II protection class according to EN/IEC 61643-11	
Residual current monitoring	Yes	
AC overcurrent protection	Yes	
AC short-circuit protection	Yes	
AC overvoltage protection	Yes	
Ripple receiver control	Yes	
Arc fault protection (AFCI)	Yes	

General Data		
Operating temperature range	-25 ~ + 60 °C (-13 °F ~ 140 °F)	
Relative operating humidity	0 %RH ~ 100 %RH	
Operating altitude	0 - 4,000 m (13,123 ft.)	
Cooling	Natural convection	
Display	LED Indicators; Integrated WLAN + FusionSolar App	
Communication	RS485; WLAN/Ethernet via Smart Dongle-WLAN-FE; 4G / 3G / 2G via Smart Dongle-4G (Optional)	
Weight (incl. mounting bracket)	17 kg (37.5 lb)	
Dimension (incl. mounting bracket)	525 * 470 * 166 mm (20.7 * 18.5 * 6.5 inch)	
Degree of protection	IP65	
Night Time Power Consumption	< 5.5 W	

Standard Compliance (more available upon request)		
Safety	EN/IEC 62109-1, EN/IEC 62109-2, IEC62116	
Grid connection standards	G98, G99, EN 50438, EN 50549-1, CEI 0-21, VDE-AR-N-4105, AS 4777, C10/11, ABNT, UTE C15-712, RD 1699, TOR D4, IEC61727, DEWA, MEA(5,10KTL-M0), PEA(5,10KTL-M0)	

¹ The maximum input voltage is the upper limit of the DC voltage. Any higher input DC voltage would probably damage inverter.
² Any DC input voltage beyond the operating voltage range may result in inverter improper operating.