

SmartPID2000 Module Inside Smart Array Controller



The SmartPID2000 Module is installed in the SmartACU2000B cabinet to reduce the negative effect of the Potential Induced Degradation (PID), and support 1000 V / 1100 V / 1500 V DC system.



Smart

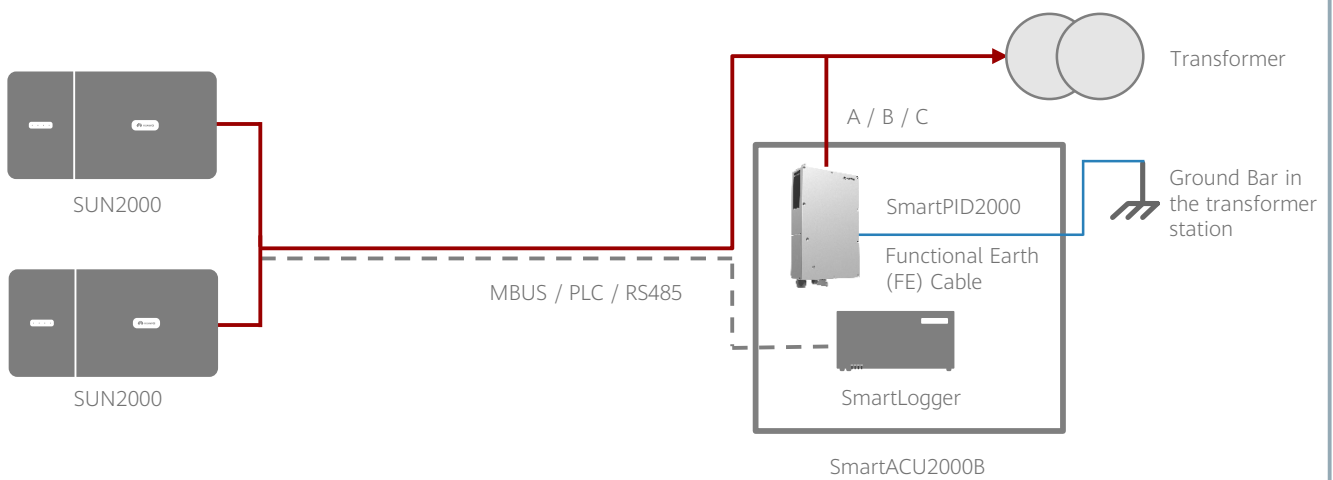
Data read and software upgrade through USB or the embedded Web



Reliable

Protection degree of IP65

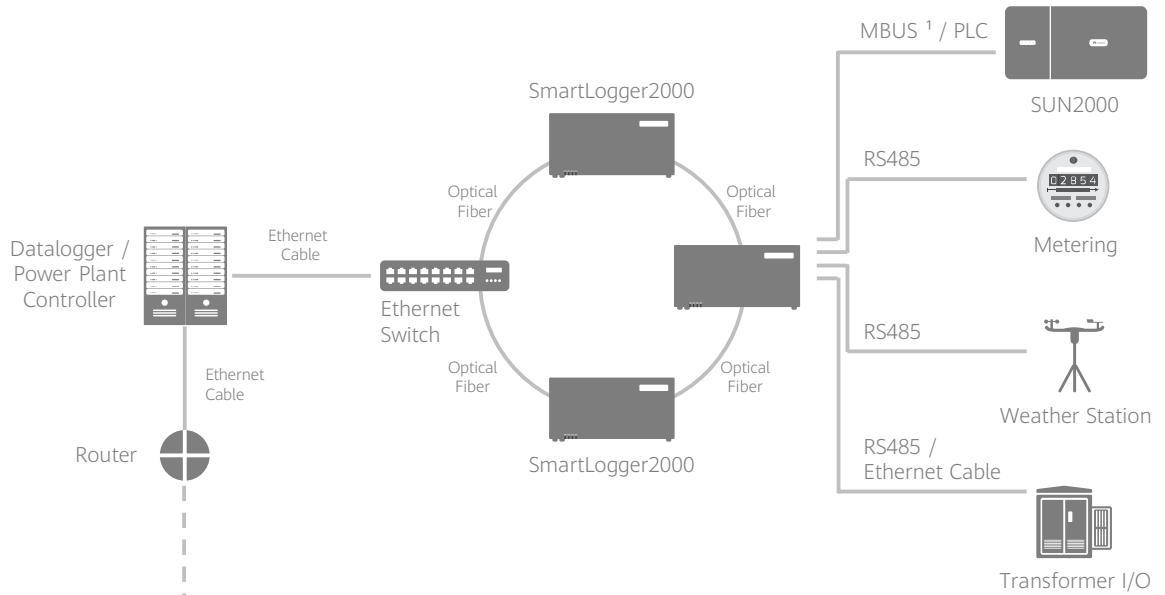
SmartPID2000 Solution Diagram



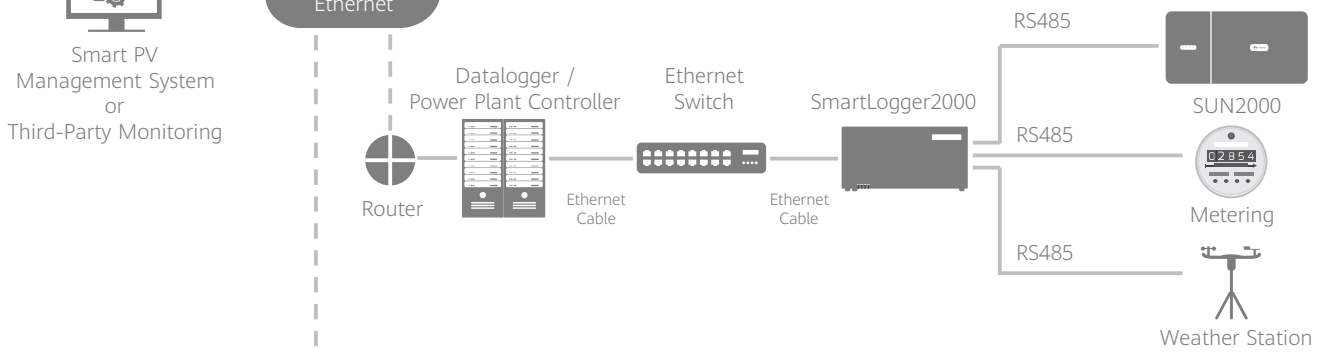
- Note:
1. The Anti-PID solution could ONLY be deployed in utility installations which are normally connected to the medium voltage (MV) grid running WITHOUT neutral line.
 2. The Anti-PID module must work with Huawei SmartLoggers and Huawei inverters.

Network Applications

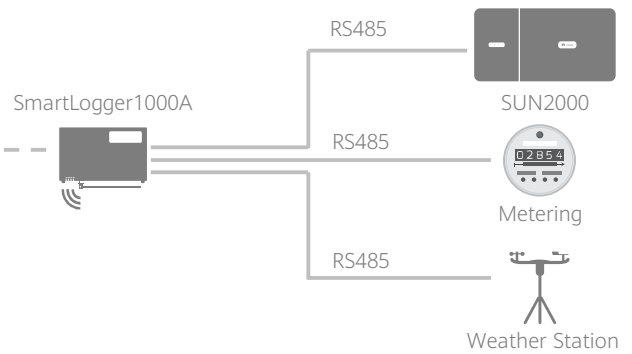
I Optical Fiber Ring Network + MBUS / PLC



II Ethernet Network + RS485



III Wireless Network



1 - Compatible with communication mode of PLC (Power Line Communication).