

SUN2000-60KTL-M0 (Mexico) Smart String Inverter



6
MPP Trackers



98.9%
Max. Efficiency



String-level
Management



Smart I-V Curve
Diagnosis Supported



Residual Current
Monitoring Integrated



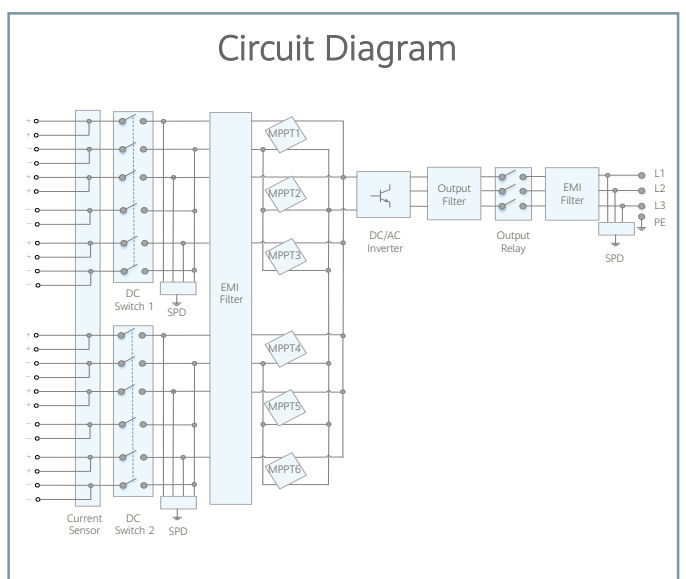
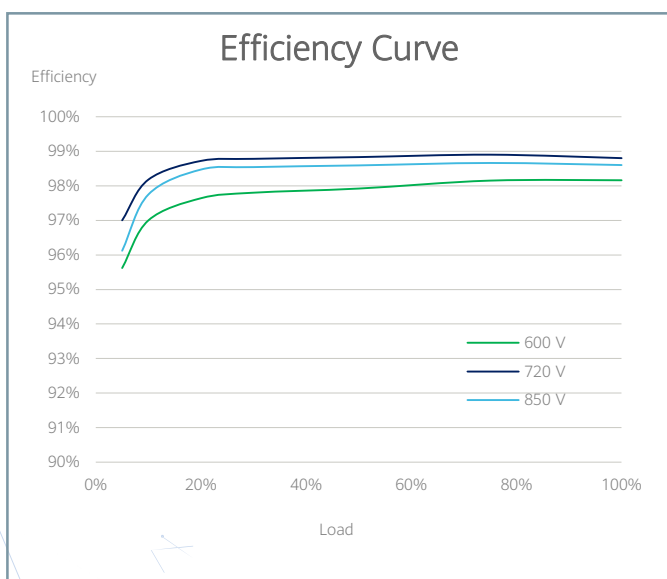
Fuse Free
Design



Surge Arresters for
DC & AC



IP65
Protection



Technical Specifications

Efficiency	
Max. Efficiency	98.9%
European Efficiency	98.7%
Input	
Max. Input Voltage	1,100 V
Max. Current per MPPT	22 A
Max. Short Circuit Current per MPPT	30 A
Start Voltage	200 V
MPPT Operating Voltage Range	200 V ~ 1,000 V
Rated Input Voltage	720 V
Number of Inputs	12
Number of MPP Trackers	6
Output	
Rated AC Active Power	60,000 W
Max. AC Apparent Power	66,000 VA
Max. AC Active Power (cosφ=1)	66,000 W
Rated Output Voltage	480 V, 3W + PE
Output Voltage Range	384 V ~ 576 V
Rated AC Grid Frequency	50 Hz / 60 Hz
Rated Output Current	72.2 A
Max. Output Current	79.4 A
Adjustable Power Factor Range	0.8 LG ... 0.8 LD
Max. Total Harmonic Distortion	< 3%
Protection	
Input-side Disconnection Device	Yes
Anti-islanding Protection	Yes
AC Overcurrent Protection	Yes
DC Reverse-polarity Protection	Yes
PV-array String Fault Monitoring	Yes
DC Surge Arrester	Type II
AC Surge Arrester	Type II
DC Insulation Resistance Detection	Yes
Residual Current Monitoring Unit	Yes
Communication	
Display	LED Indicators, Bluetooth/WLAN + APP
USB	Yes
RS485	Yes
MBUS	Yes
General	
Dimensions (W x H x D)	1,075 x 555 x 300 mm (42.3 x 21.9 x 11.8 inch)
Weight (with mounting plate)	74 kg (163.1 lb.)
Operating Temperature Range	-25°C ~ 60°C (-13°F ~ 140°F)
Cooling Method	Natural Convection
Max. Operating Altitude	4,000 m (13,123 ft.)
Relative Humidity	0 ~ 100%
DC Connector	Amphenol Helios H4
AC Connector	Waterproof PG Connector + OT Terminal
Protection Degree	IP65
Topology	Transformerless
Standard Compliance (more available upon request)	
Certificates	EN 62109-1/-2, IEC 62109-1/-2, EN 50530, IEC 62116, IEC 60068, IEC 61683, IEC 61727