

SUN2000-185KTL-H1

Smart String Inverter



9
MPP Trackers



99.0%
Max. Efficiency



String-level
Management



Smart I-V Curve
Diagnosis Supported



MBUS
Supported



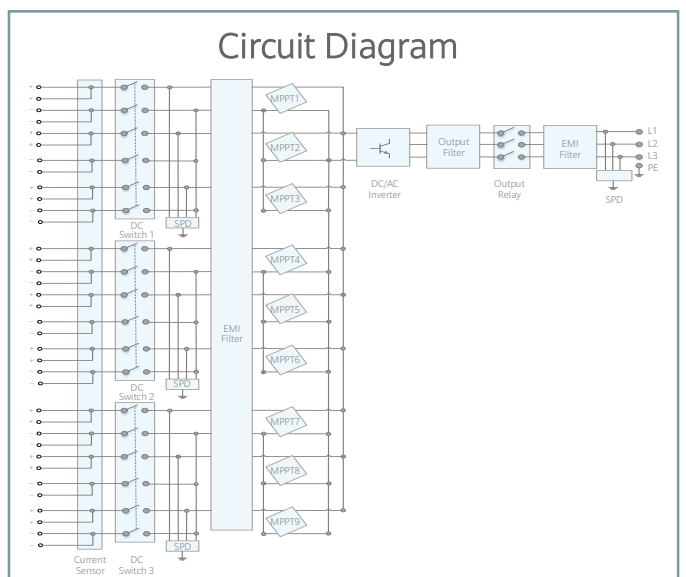
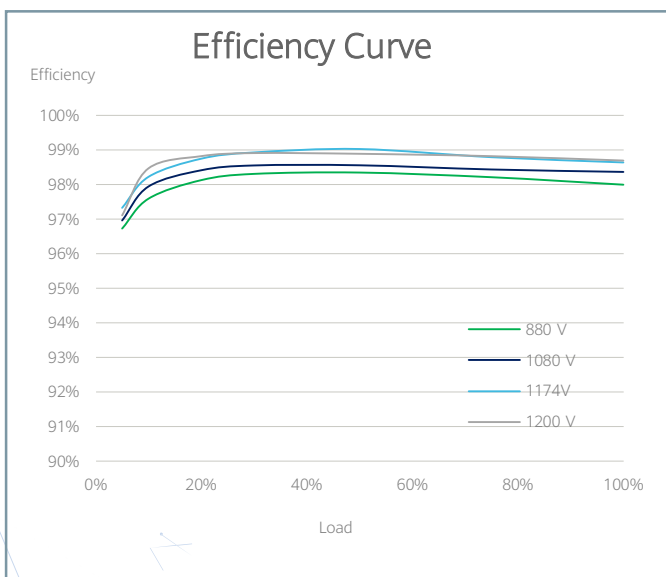
Fuse Free
Design



Surge Arresters for
DC & AC



IP66
Protection



Technical Specifications

Efficiency	
Max. Efficiency	99.03%
European Efficiency	98.69%
Input	
Max. Input Voltage	1,500 V
Max. Current per MPPT	26 A
Max. Short Circuit Current per MPPT	40 A
Start Voltage	550 V
MPPT Operating Voltage Range	500 V ~ 1,500 V
Nominal Input Voltage	1,080 V
Number of Inputs	18
Number of MPP Trackers	9
Output	
Nominal AC Active Power	175,000 W @40°C, 168,000 W @45°C, 150,000 W @50°C
Max. AC Apparent Power	185,000 VA
Max. AC Active Power (cosφ=1)	185,000 W
Nominal Output Voltage	800 V, 3W + PE
Rated AC Grid Frequency	50 Hz / 60 Hz
Nominal Output Current	126.3 A @40°C, 121.3 A @45°C, 108.3 A @50°C
Max. Output Current	134.9 A
Adjustable Power Factor Range	0.8 LG ... 0.8 LD
Max. Total Harmonic Distortion	< 3%
Protection	
Input-side Disconnection Device	Yes
Anti-islanding Protection	Yes
AC Overcurrent Protection	Yes
DC Reverse-polarity Protection	Yes
PV-array String Fault Monitoring	Yes
DC Surge Arrester	Type II
AC Surge Arrester	Type II
DC Insulation Resistance Detection	Yes
Residual Current Monitoring Unit	Yes
Communication	
Display	LED Indicators, Bluetooth/WLAN + APP
USB	Yes
MBUS	Yes
RS485	Yes
General	
Dimensions (W x H x D)	1,035 x 700 x 365 mm (40.7 x 27.6 x 14.4 inch)
Weight (with mounting plate)	84 kg (185.2 lb.)
Operating Temperature Range	-25°C ~ 60°C (-13°F ~ 140°F)
Cooling Method	Smart Air Cooling
Max. Operating Altitude without Derating	4,000 m (13,123 ft.)
Relative Humidity	0 ~ 100%
DC Connector	Staubli MC4 EVO2
AC Connector	Waterproof Connector + OT/DT Terminal
Protection Degree	IP66
Topology	Transformerless
Standard Compliance (more available upon request)	
Certificate	EN 62109-1/-2, IEC 62109-1/-2, EN 50530, IEC 62116, IEC 60068, IEC 61683
Grid Code	IEC 61727, IEC 62910, P.O. 12.3, RD 1699, RD 661, RD 413, RD 1565, RD 1663, UNE 206007-1, UNE 206006