

SUN2000-70KTL-INM0

Smart String Inverter



6
MPP Trackers



99.0%
Max. Efficiency



String-level
Management



Smart I-V Curve
Diagnosis Supported



Residual Current
Monitoring Integrated



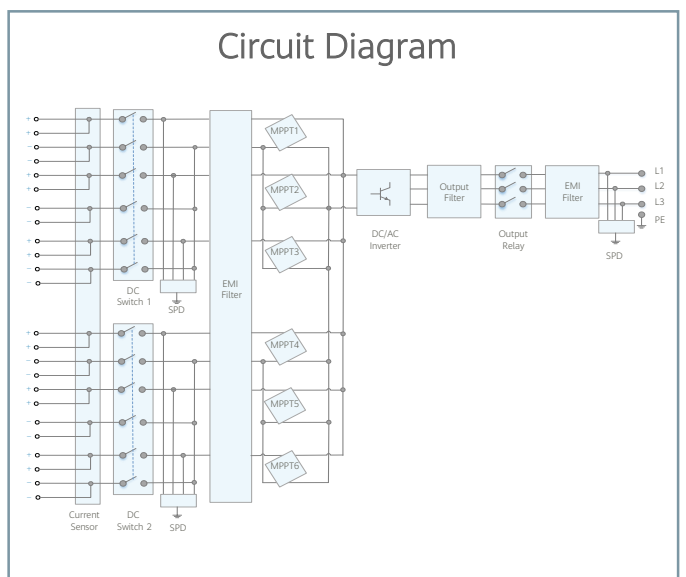
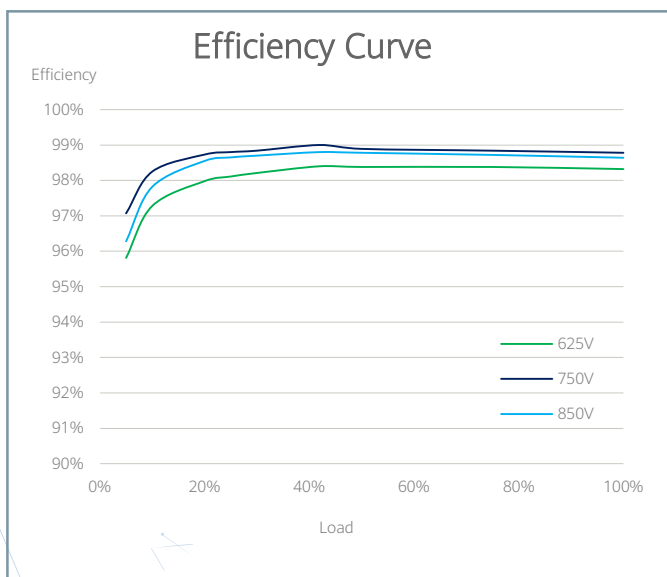
Fuse Free
Design



Surge Arresters for
DC & AC



IP65
Protection



Technical Specifications

| Efficiency | |
|---|---|
| Max. Efficiency | 99.0% |
| European Efficiency | 98.7% |
| Input | |
| Max. Input Voltage | 1,100 V |
| Max. Current per MPPT | 22 A |
| Max. Short Circuit Current per MPPT | 30 A |
| Start Voltage | 200 V |
| MPPT Operating Voltage Range | 200 V ~ 1,000 V |
| Rated Input Voltage | 750 V |
| Number of Inputs | 12 |
| Number of MPP Trackers | 6 |
| Output | |
| AC Active Power | 70,000 W @ 45°C , 65,000 W @ 50°C |
| Max. AC Apparent Power | 72,000 VA |
| Max. AC Active Power (cosφ=1) | 72,000 W |
| Rated Output Voltage | 500 V, 3W + PE |
| Rated AC Grid Frequency | 50 Hz |
| Rated Output Current | 75.1 A |
| Max. Output Current | 83.2 A |
| Adjustable Power Factor Range | 0.8 LG ... 0.8 LD |
| Max. Total Harmonic Distortion | < 3% |
| Protection | |
| Input-side Disconnection Device | Yes |
| Anti-islanding Protection | Yes |
| AC Overcurrent Protection | Yes |
| DC Reverse-polarity Protection | Yes |
| PV-array String Fault Monitoring | Yes |
| DC Surge Arrester | Type II |
| AC Surge Arrester | Type II |
| DC Insulation Resistance Detection | Yes |
| Residual Current Monitoring Unit | Yes |
| Communication | |
| Display | LED Indicators, Bluetooth + APP |
| USB | Yes |
| RS485 | Yes |
| Power Line Communication (PLC) | Yes |
| General | |
| Dimensions (W x H x D) | 1,075 x 555 x 300 mm (42.3 x 21.9 x 11.8 inch) |
| Weight (with mounting plate) | 71 kg (156.5 lb.) |
| Operating Temperature Range | -25°C ~ 60°C (-13°F ~ 140°F) |
| Cooling Method | Natural Convection |
| Max. Operating Altitude | 4,000 m (13,123 ft.) |
| Relative Humidity | 0 ~ 100% |
| DC Connector | Amphenol Helios H4 |
| AC Connector | Waterproof PG Connector + OT Terminal |
| Protection Degree | IP65 |
| Topology | Transformerless |
| Standard Compliance (more available upon request) | |
| Certificate | EN 62109-1/-2, IEC 62109-1/-2, EN 50530, IEC 62116, IEC 62910, IEC 60068, IEC 61683 |
| Grid Code | IEC 61727 |