



## Higher Revenue

Max. efficiency 98.6%



## Simple & Easy

17 kg, one person easy installation



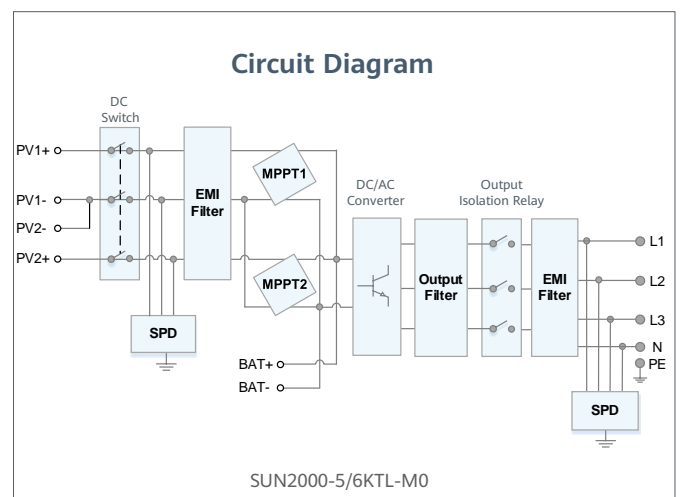
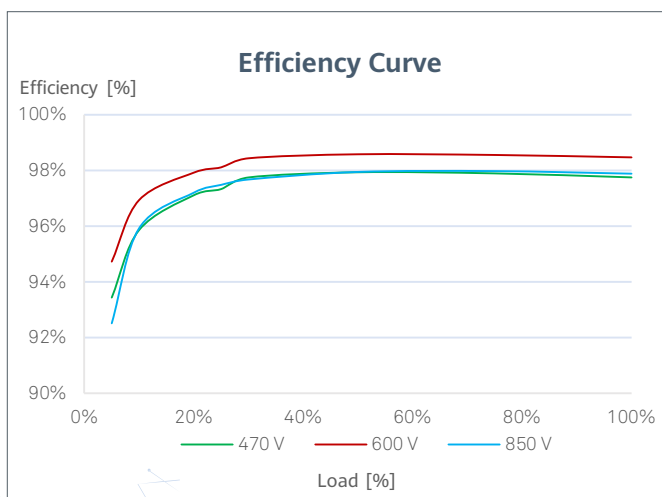
## Battery Ready

Plug & Play battery interface



## Safe & Reliable

Built-in Arc fault protection



# SUN2000-5/6KTL-M0 Technical Specification

Technical Specification	SUN2000-5KTL-M0	SUN2000-6KTL-M0
-------------------------	-----------------	-----------------

## Efficiency

Max. efficiency	98.4%	98.6%
European weighted efficiency	97.5%	97.7%

## Input

Recommended max. PV power	10,000 Wp	12,000 Wp
Max. input voltage <sup>1</sup>	1,100 V	
Operating voltage range <sup>2</sup>	140 V ~ 980 V	
Start-up voltage	200 V	
Full power MPPT voltage range	240 V ~ 850 V	285 V ~ 850 V
Rated input voltage	600 V	
Max. input current per MPPT	11 A	
Max. short-circuit current	15 A	
Number of MPP trackers	2	
Max. number of inputs	2	

## Output

Grid connection	Three-phase	
Rated output power	5,000 W	6,000 W
Max. apparent power	5,500 VA	6,600 VA
Rated output voltage	220 Vac / 380 Vac, 230 Vac / 400 Vac, 3W / N+PE	
Rated AC grid frequency	50 Hz / 60 Hz	
Max. output current	8.5 A	10.1 A
Adjustable power factor	0.8 leading ... 0.8 lagging	
Max. total harmonic distortion	≤ 3 %	

## Features & Protections

Input-side disconnection device		Yes
Anti-Islanding protection		Yes
DC reverse polarity protection		Yes
Insulation monitoring		Yes
DC surge protection <sup>3</sup>		Yes
AC surge protection <sup>3</sup>		Yes
Residual current monitoring		Yes
AC overcurrent protection		Yes
AC short-circuit protection		Yes
AC overvoltage protection		Yes
Arc fault protection		Yes
Ripple receiver control		Yes

## General Data

Operating temperature range	-25 ~ + 60 °C (-13 °F ~ 140 °F) (Derating above 45 °C @ Rated output power)	
Relative operating humidity	0 %RH ~ 100 %RH	
Operating altitude	0 - 4,000 m (13,123 ft.) (Derating above 3000 m)	
Cooling	Natural convection	
Display	LED Indicators; Integrated WLAN + FusionSolar App	
Communication	RS485; WLAN/Ethernet via Smart Dongle-WLAN-FE; 4G / 3G / 2G via Smart Dongle-4G (Optional)	
Weight (incl. mounting bracket)	17 kg (37.5 lb)	
Dimension (incl. mounting bracket)	525 x 470 x 166 mm (20.7 x 18.5 x 6.5 inch)	
Degree of protection	IP65	
Nighttime Power Consumption	< 5.5 W	

## Battery Compatibility

Battery Interface	Integrated <sup>4</sup>	
-------------------	-------------------------	--

## Standard Compliance (more available upon request)

Certificate	EN/IEC 62109-1, EN/IEC 62109-2, IEC 62116	
Grid connection standards	AS/NZS 4777:2015	

<sup>1</sup> The maximum input voltage is the upper limit of the DC voltage. Any higher input DC voltage would probably damage inverter.

<sup>2</sup> Any DC input voltage beyond the operating voltage range may result in inverter improper operating.

<sup>3</sup> Compatible TYPE II protection class according to EN/IEC 61643-11

<sup>4</sup> Compatible battery solution will be available in 2020 H2