

# SmartPID2000 Module

## Inside Smart Array Controller



The SmartPID2000 Module is installed in the Smart Array Controller cabinet to reduce the negative effect of the Potential Induced Degradation (PID), and support 1000 V / 1100 V / 1500 V DC system.



### Smart

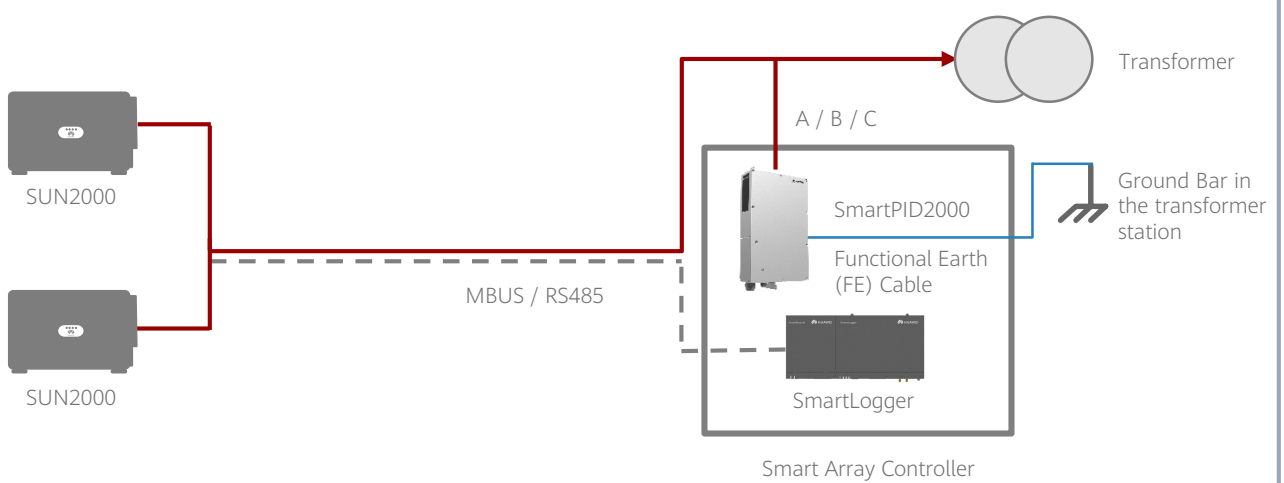
Data read and software upgrade through USB or the embedded Web



### Reliable

Protection degree of IP65

## SmartPID2000 Solution Diagram



Note:

1. The Anti-PID solution could ONLY be deployed in utility installations which are normally connected to the medium voltage (MV) grid running WITHOUT neutral line.
2. The Anti-PID module must work with Huawei SmartLoggers and Huawei inverters.