

Smart String Inverter



Higher Revenue

Max. efficiency 98.65%



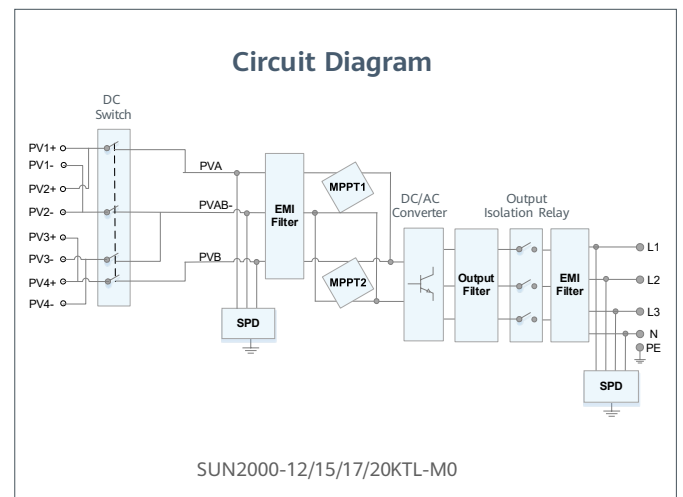
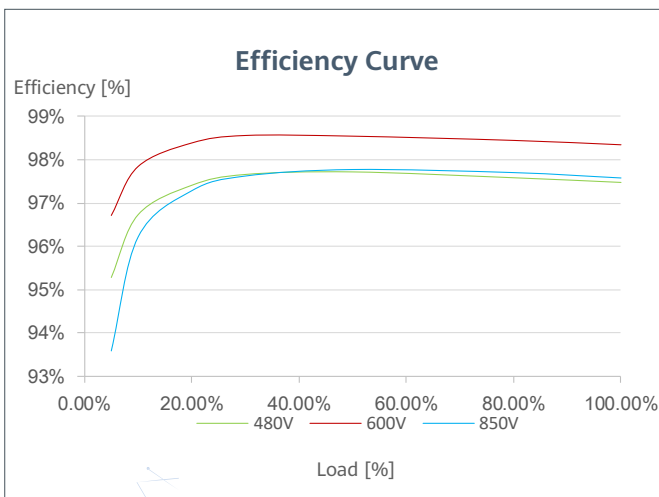
Simple & Easy

25 kg



Safe & Reliable

Arc fault protection



| Technical Specification | SUN2000 -12KTL-M0 | SUN2000 -15KTL-M0 | SUN2000 -17KTL-M0 | SUN2000 -20KTL-M0 |
|-------------------------|----------------------|----------------------|----------------------|----------------------|
|-------------------------|----------------------|----------------------|----------------------|----------------------|

Efficiency

| | | | | |
|------------------------------|--------|--------|--------|--------|
| Max. efficiency | 98.50% | 98.65% | 98.65% | 98.65% |
| European weighted efficiency | 98.00% | 98.30% | 98.30% | 98.30% |

Input

| | |
|--------------------------------------|---------------|
| Max. input voltage ¹ | 1,080 V |
| Operating voltage range ² | 160 V ~ 950 V |
| Start voltage | 200 V |
| Rated input voltage | 600 V |
| Max. input current per MPPT | 22 A |
| Max. short-circuit current | 30 A |
| Number of MPP trackers | 2 |
| Max. number of inputs | 4 |

Output

| | | | | |
|--------------------------------|--|-----------|-----------|-----------|
| Grid connection | Three phase | | | |
| Rated output power | 12,000 W | 15,000 W | 17,000 W | 20,000 W |
| Max. apparent power | 13,200 VA | 16,500 VA | 18,700 VA | 22,000 VA |
| Rated output voltage | 220 Vac / 230 Vac , default 3W / N+PE ; 380 Vac / 400 Vac, 3W+PE | | | |
| Rated AC grid frequency | 50 Hz / 60 Hz | | | |
| Max. output current | 20 A | 25.2 A | 28.5 A | 33.5 A |
| Adjustable power factor | 0.8 leading ... 0.8 lagging | | | |
| Max. total harmonic distortion | ≤ 3 % | | | |

Features & Protections

| | |
|----------------------------------|-----|
| Input-side disconnection device | Yes |
| Anti-islanding protection | Yes |
| AC over-current protection | Yes |
| AC short-circuit protection | Yes |
| AC over-voltage protection | Yes |
| DC reverse-polarity protection | Yes |
| DC surge protection ³ | Yes |
| AC surge protection ³ | Yes |
| Residual current monitoring unit | Yes |
| Arc fault protection | Yes |
| Ripple receiver control | Yes |

General Data

| | |
|--|---|
| Operation temperature range | -25 ~ + 60 °C (-13 °F ~ 140 °F) (Derating above 45 °C @ Rated output power) |
| Relative humidity | 0 % RH ~ 100% RH |
| Max. operating altitude | 0 - 4,000 m (13,123 ft.) (Derating above 2000 m) |
| Cooling | Natural Convection |
| Display | LED Indicators |
| Communication | RS485; WLAN via Smart Dongle-WLAN; 4G / 3G / 2G via Smart Dongle-4G |
| Weight (with mounting plate) | 25 kg |
| Dimensions (W x H x D) (incl. mounting plate) | 525 x 470 x 262 mm (20.7 x 18.5 x 10.3 inch) |
| Degree of protection | IP65 |

Standard Compliance (more available upon request)

| | |
|---------------------------|--|
| Safety | EN/IEC 62109-1, EN/IEC 62109-2, IEC62116 |
| Grid connection standards | G98, G99, IEC61727, EN 50438, CEI 0-21, VDE-AR-N-4105, VDE-AR-N-4110, AS 4777, C10/11, ABNT, UTE C15-712, RD 1699, TOR D4, NRS 097-2-1, DEWA 2.0 |

¹ The maximum input voltage is the upper limit of the DC voltage. Any higher input DC voltage would probably damage inverter.

² Any DC input voltage beyond the operating voltage range may result in inverter improper operating.

³ Compatible TYPE II protection class according to EN/IEC 61643-11