

# SmartPID2000 Module Inside Smart Array Controller



The SmartPID2000 Module is installed in the Smart Array Controller cabinet to reduce the negative effect of the Potential Induced Degradation (PID), and support 1000 V / 1100 V / 1500 V DC system.



## Smart

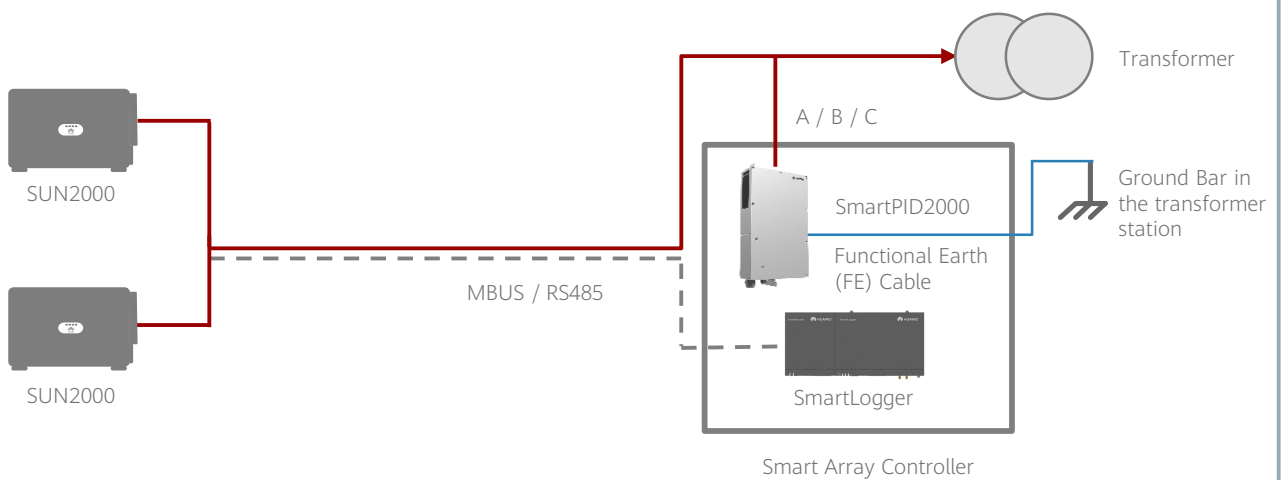
Data read and software upgrade through USB or the embedded Web



## Reliable

Protection degree of IP65

## SmartPID2000 Solution Diagram



- Note:
1. The Anti-PID solution could ONLY be deployed in utility installations which are normally connected to the medium voltage (MV) grid running WITHOUT neutral line.
  2. The Anti-PID module must work with Huawei SmartLoggers and Huawei inverters.