

# Smart String Inverter

SUN2000-8/12KTL



## Smart

- 4 strings intelligent monitoring and fast trouble-shooting
- RS485 and USB ports for communication and data management
- Local graphic LCD display and remote monitoring

## Efficient

- Max. efficiency 98.5%
- European efficiency 98.0%
- 2 MPPTs per unit, effectively reducing string mismatch

## Safe

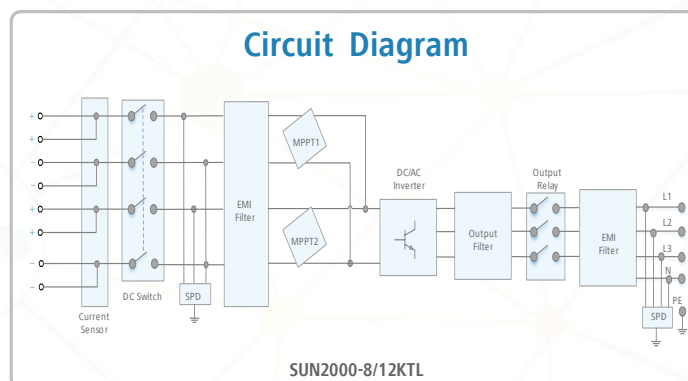
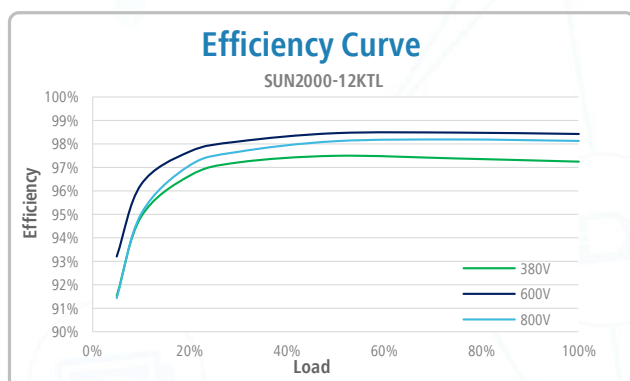
- DC switch integrated, safe and convenient for maintenance
- Residual Current Monitoring Unit (RCMU) integrated
- Fuse free design

## Reliable

- Natural cooling technology
- Protection degree of IP65
- Type II surge arresters for both DC and AC

# Smart String Inverter (SUN2000-8/12KTL)

| Technical Specifications                                 | SUN2000-8KTL  | SUN2000-12KTL                         |
|--|---|---------------------------------------|
| <b>Efficiency</b>  |   |                                       |
| Max. Efficiency  | 98.5%   | 98.5%                                 |
| European Efficiency                                      | 98.0%   | 98.0%                                 |
| <b>Input</b>   |   |                                       |
| Max. Input Voltage                                       | 1,000 V   |                                       |
| Max. Current per MPPT                                    | 18 A  |                                       |
| Max. Short Circuit Current per MPPT                      | 25 A  |                                       |
| Start Voltage  | 250 V   |                                       |
| MPPT Operating Voltage Range                             | 200 V ~ 950 V   |                                       |
| Rated Input Voltage                                      | 620 V   |                                       |
| Number of Inputs   | 4   |                                       |
| Number of MPP Trackers                                   | 2   |                                       |
| <b>Output</b>  |   |                                       |
| Rated AC Active Power                                    | 8,000 W   | 12,000 W                              |
| Max. AC Apparent Power                                   | 8,800 VA  | 13,200 VA                             |
| Max. AC Active Power (cosφ=1)                            | 8,800 W   | 13,200 W                              |
| Rated Output Voltage                                     | 220 V / 380 V, 230 V / 400 V, 3W+N+PE   | 220 V / 380 V, 230 V / 400 V, 3W+N+PE |
| Rated AC Grid Frequency                                  | 50 Hz / 60 Hz   | 50 Hz / 60 Hz                         |
| Rated Output Current                                     | 12.2 A @ 380 Vac / 11.6 A @ 400 Vac   | 18.3 A @ 380 Vac / 17.4 A @ 400 Vac   |
| Max. Output Current                                      | 13.4 A  | 20 A                                  |
| Adjustable Power Factor Range                            | 0.8 LG ... 0.8 LD   | 0.8 LG ... 0.8 LD                     |
| Max. Total Harmonic Distortion                           | < 3%  | < 3%                                  |
| <b>Protection</b>  |   |                                       |
| Input-side Disconnection Device                          | Yes   |                                       |
| Anti-islanding Protection                                | Yes   |                                       |
| AC Overcurrent Protection                                | Yes   |                                       |
| DC Reverse-polarity Protection                           | Yes   |                                       |
| PV-array String Fault Monitoring                         | Yes   |                                       |
| DC Surge Arrester  | Type II   |                                       |
| AC Surge Arrester  | Type II   |                                       |
| DC Insulation Resistance Detection                       | Yes   |                                       |
| Residual Current Monitoring Unit                         | Yes   |                                       |
| <b>Communication</b>                                     |   |                                       |
| Display  | Graphic LCD   |                                       |
| RS485  | Yes   |                                       |
| USB  | Yes   |                                       |
| <b>General</b>   |   |                                       |
| Dimensions (W x H x D)                                   | 520 x 610 x 266 mm (20.5 x 24.0 x 10.5 inch)  |                                       |
| Weight (with mounting plate)                             | 42 kg (92.6 lb.)  |                                       |
| Operation Temperature Range                              | -25°C ~ 60°C (-13°F ~ 140°F)  |                                       |
| Cooling Method   | Natural Convection  |                                       |
| Max. Operating Altitude                                  | 3,000 m (9,842 ft.)   |                                       |
| Relative Humidity  | 0 ~ 100%  |                                       |
| DC Connector   | Amphenol Helios H4  |                                       |
| AC Connector   | Amphenol C16/3  |                                       |
| Protection Degree  | IP65  |                                       |
| Topology   | Transformerless   |                                       |
| <b>Standard Compliance (more available upon request)</b> |   |                                       |
| Certificate  | EN 62109-1/-2, IEC 62109-1/-2, IEC 62116  |                                       |
| Grid Code  | IEC 61727, NB/T 32004-2013, VDE-AR-N-4105, VDE 0126-1-1, BDEW, G83/2 (Only 8KTL), G59/3 (Only 12KTL), UTE C 15-712-1, CEI 0-16, CEI 0-21, C10/11, EN 50438-Ireland, EN 50438-Turkey, AS 4777, PEA (Only 12KTL), MEA (Only 12KTL), NRS 097-2-1 |                                       |



The text and figures reflect the current technical state at the time of printing. Subject to technical changes. Errors and omissions excepted. Huawei assumes no liability for mistakes or printing errors. For more information, please visit solar.huawei.com. Version No.:01-(201807)